

MINOR KTR-A Self-return Series

MINOR® KTR-A 微型自復系列

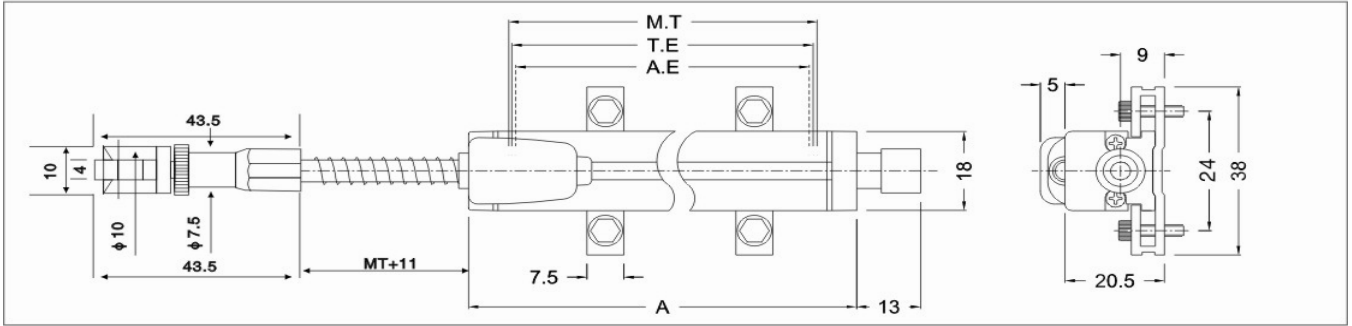


External connected signal processing,
 Stroke range: 0-100mm,
 Analog output: 0-5V, 0-10V, 4-20mA,
 With 1m shield wire; Self return by the
 spring strength. Such as tension regulating
 device, speed control, material automatically
 conveying system, package machine,
 production lines etc.

KTR-A Roll wheel gauge head	mm	10	15	25	50	75	100
Total Electrical Travel (T.E)	mm	12	17	27	52	77	102
Active Electrical Travel (A.E)	mm	10	15	25	50	75	100
Resistance Range $\pm 20\%$	k Ω	1.0			5.0		
Independent Linearity	$\pm 20\%$	0.05					
Mechanical Travel (M.T)	mm	15	20	30	55	80	103
Output		Voltage Divider					
Resolution		Infinite					
Operating Temperature	C°	-50 + 120					
Dimensions A	mm	52	57	67	92	117	142
Total Dimensions	mm	129	139	159	209	259	309

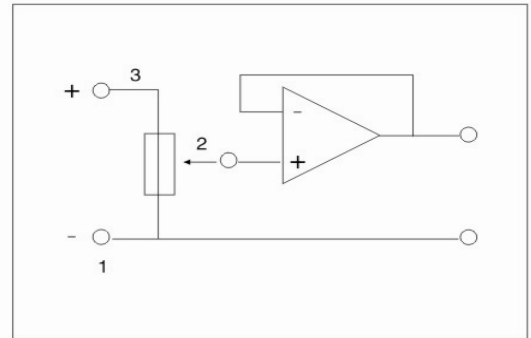
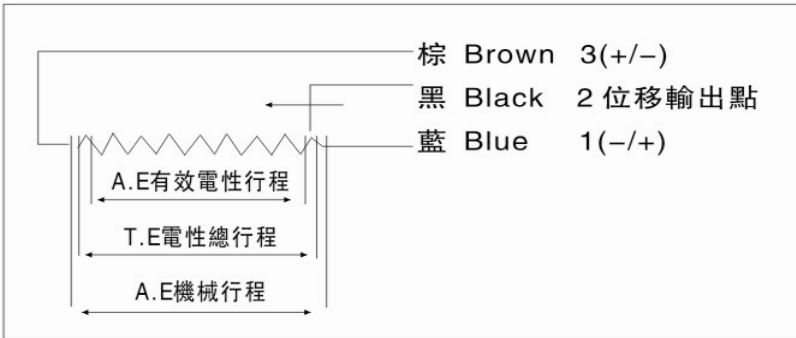
Dimensions for reference only and subject to change without prior notice.

Mechanical Dimension KTR-A 尺寸 KTR-A 微型自復式



電器安裝圖

Recommended Measurement Circuit
用測試綫路



Enviornmental Parameters 環境參數

Life壽命	>100x10 ⁶ Cycles	Operating Speed 使用速度	10m/s max
Operating temperature 操作溫度	-50to+120℃	Vibration 震動系數	IEC68-2-6:1982 20g
Sealing 防水防塵能力	IP 65	Shock 衝擊系數	IEC68-2-29:1968 50g