

KPZ-12 系列圆微型直线位移传感器



此微型位移传感器是专为直接绝对测量设计，行程为 150 毫米。微型设计适用于安装空间受限制的机械或机器。

改进技术使连接到电阻轨道(双修刻技术)确保更高的可靠性和线性度,而多触点电刷则有更稳定的输出信号,更能适用于极为恶劣的工作条件。

This mini position transducer is designed for direct absolute measurement and available in stroke length up to 150mm. The mini design is suitable for mounting in instruments or machines with limited space.

An improved technique for making connection to resistance track (Double Trimming Technique) ensures the higher degrees of reliability and linearity, while multi-fingers wipers stabilize output signals, even in the most adverse working conditions.

Unique Features 电气特征

- Three mounting methods
三种安装方法
- Stroke 行程 10-150mm
- High Resolution infinite
高分辨率 无穷
- Excellent Repeatability $\pm 0.01\text{mm}$
良好的重复性
- KPZ12S-two adjustable brackets
KPZ12S-两个可调节支架
- KPZ12A-two self-aligning ball joints
KPZ12A-两个自动对准球关节
- KPZ12F-flange mounted
KPZ12F-法兰安装

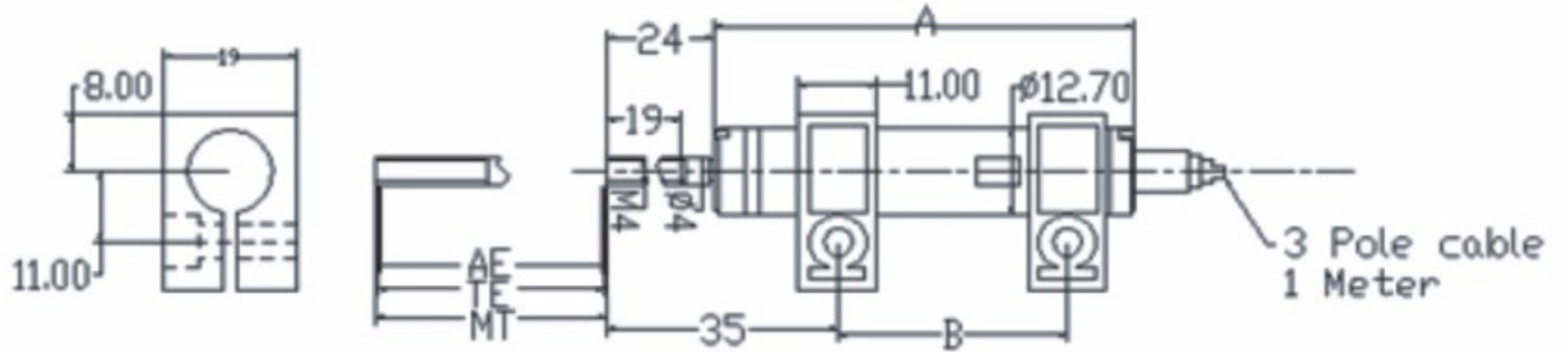
Technical Specification 技术说明

- Sealing 密封-KPZ12S/KPZ12A/KPZ12F IP60
- Sealing-optional 密封-可选 IP65
- Current 电流 Resistance $\leq 10\text{mA}$
- Wiper 电刷 电阻 $\leq 1\text{mA}$
- Operating Force 移动力 $\leq 0.5\text{N}$ (IP60) $\leq 5\text{N}$ (IP65)
- Power Consumption 3W-10W
功率消耗 3W-10W
- Output Smoothness $< \pm 0.1\%$ against input voltage
输出平滑性 $< \pm 0.1\%$ 反输入电压
- Input Voltage 输入电压 60 V Max
- Insulation Voltage 500V-1 min Residue $< 5 \mu\text{A}$
绝缘电压 500V-1 分钟残留 $< 5 \mu\text{A}$

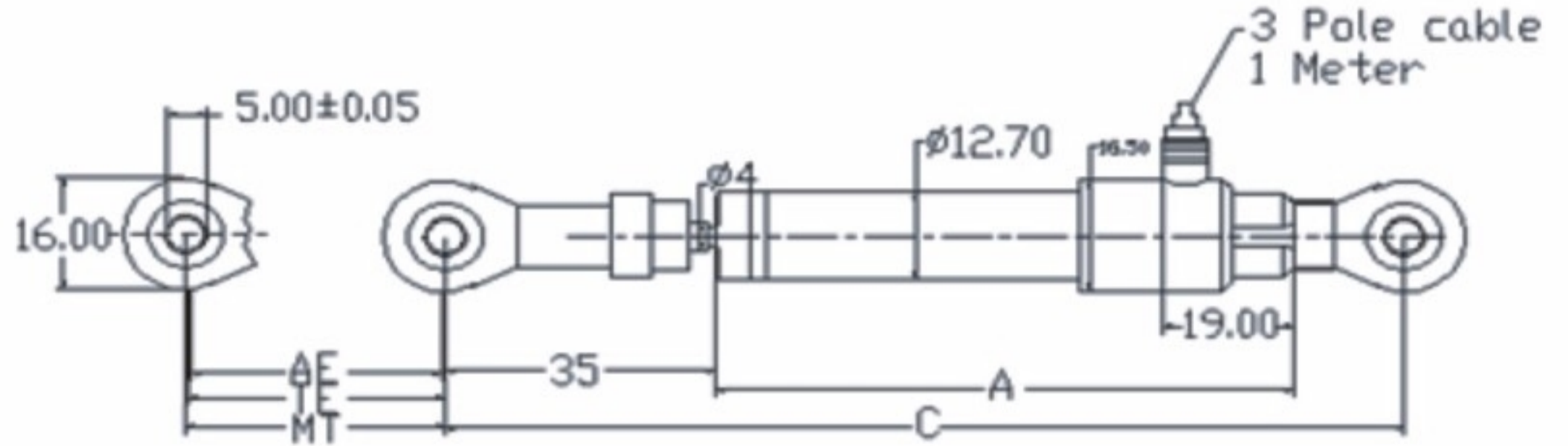
Environmental Parameters 环境参数

- | | | | |
|------------------------------------|----------------------------|----------------------|-----------------------|
| Very Long Life 超长寿命 | $> 100 \times 10^6$ Cycles | Operating Speed 使用速度 | 5m/s max |
| Operating temperature 操作温度 | -50~120°C | Vibration 振动系数 | IEC 68-2-29: 1968 40g |
| Storage Temperature 存储温度 | 50~120°C | Shock 冲击系数 | IEC 68-2-29: 1968 40g |
| Outstanding Linearity up to 出色的线性度 | $\pm 0.05\%$ | Sealing 防水防尘能力 | IP65 |

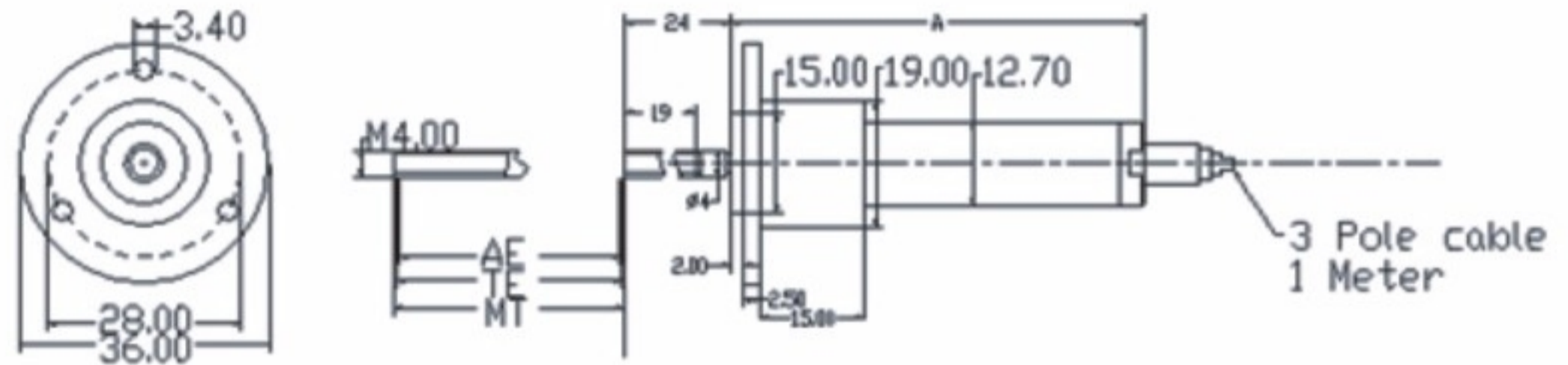
KPZ12-S



KPZ12-A

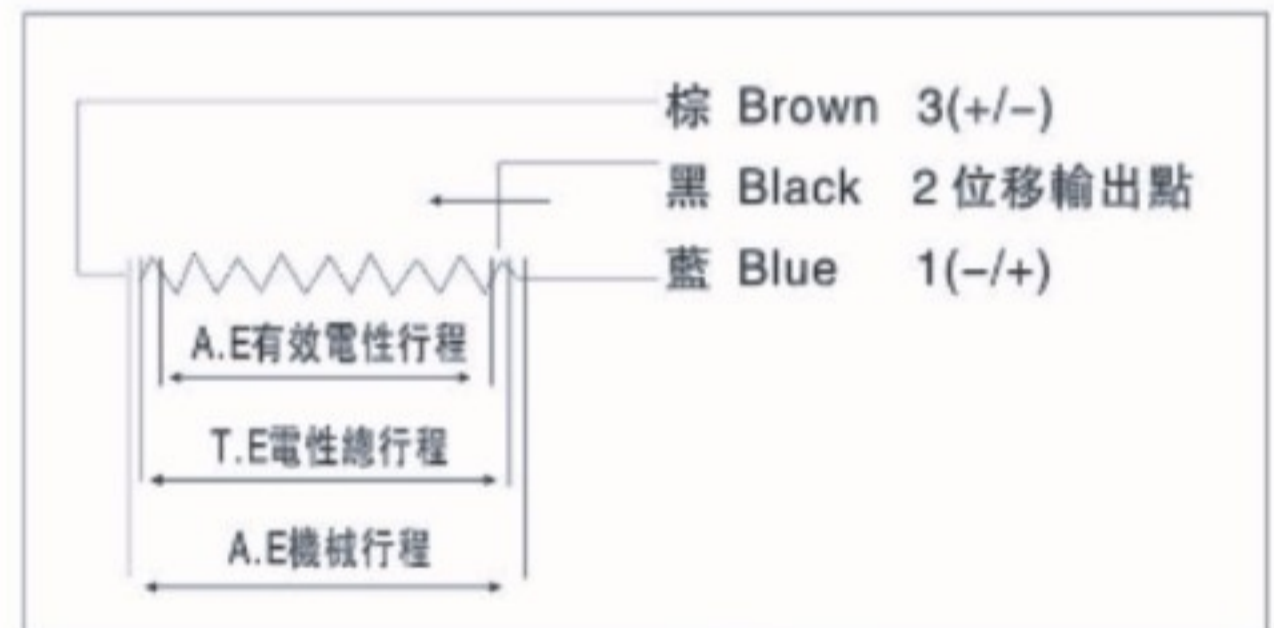


KPZ12-F



KPZ12-	S	Mounting by brackets 支架安装	length 行程	I.P. IP等级
	A	Mounting by self-aligning ball-joints 球窝自动调整		
	F	Mounting by flange 法兰安装		
MODEL 型号		10	P	Water Proof IP65 防水IP65 Standard IP60 标准IP60
		25		
		50		
		75		
		100		
		125		
		150		

Other Lengths on requested, Specifications to be changed without notice.
其它长度要求, 规范变更恕不另行通知



KPZ12 series KPZ12 系列		10	25	50	75	100	125	150
Total Electrical Travel (T.E) 电气总行程	mm	11	26	51	76	101	126	151
Active Electrical Travel (A.E) 可用电气行程	mm	10	25	50	75	100	125	150
Resistance 电阻 ±20%	KΩ	1	1	5	5	5	5	5
Independent Linearity 独立线性率	±%	0.3	0.2	0.1	0.1	0.1	0.05	0.05
Mechanical Travel 机械行程 (M.T)	mm	15	30	55	80	105	130	155
Resolution 解像度		infinite 无限						
Temperature Range 使用温度范围	℃	-30~+100						
Dimensions A KPZ12-S	mm	59.5	74.5	99.5	124.5	149.5	174.5	199.5
Dimensions A KPZ12-A	mm	87	102	127	152	177	202	227
Dimensions A KPZ12-F	mm	59.5	74.5	99.5	124.5	149.5	174.5	199.5
Dimensions B	mm	27	42	67	92	117	142	167
Dimensions C	mm	138	153	178	203	228	253	278
Net Weight KPZ12-S	g	30	45	55	65	75	85	95
Net Weight KPZ12-A	g	55	70	80	90	100	110	120
Net Weight KPZ12-F	g	45	60	70	80	90	100	110